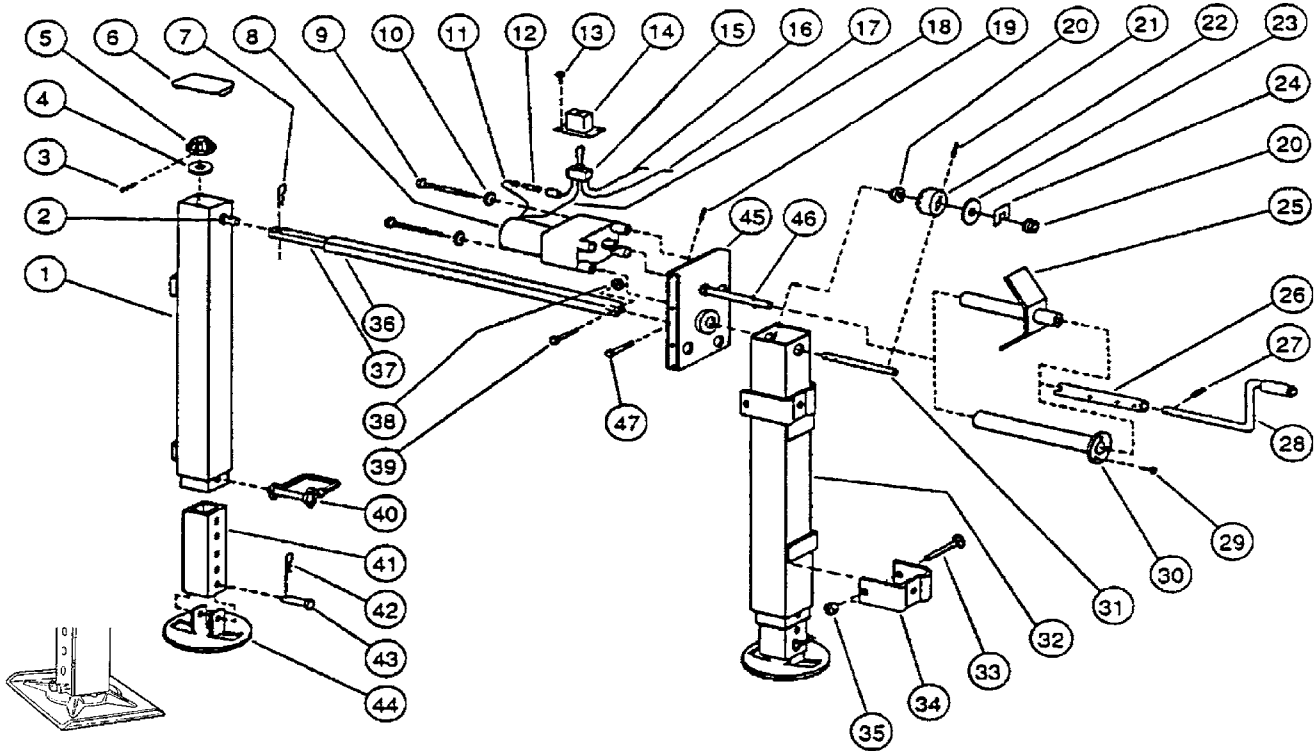


# JACKS & ACCESSORIES

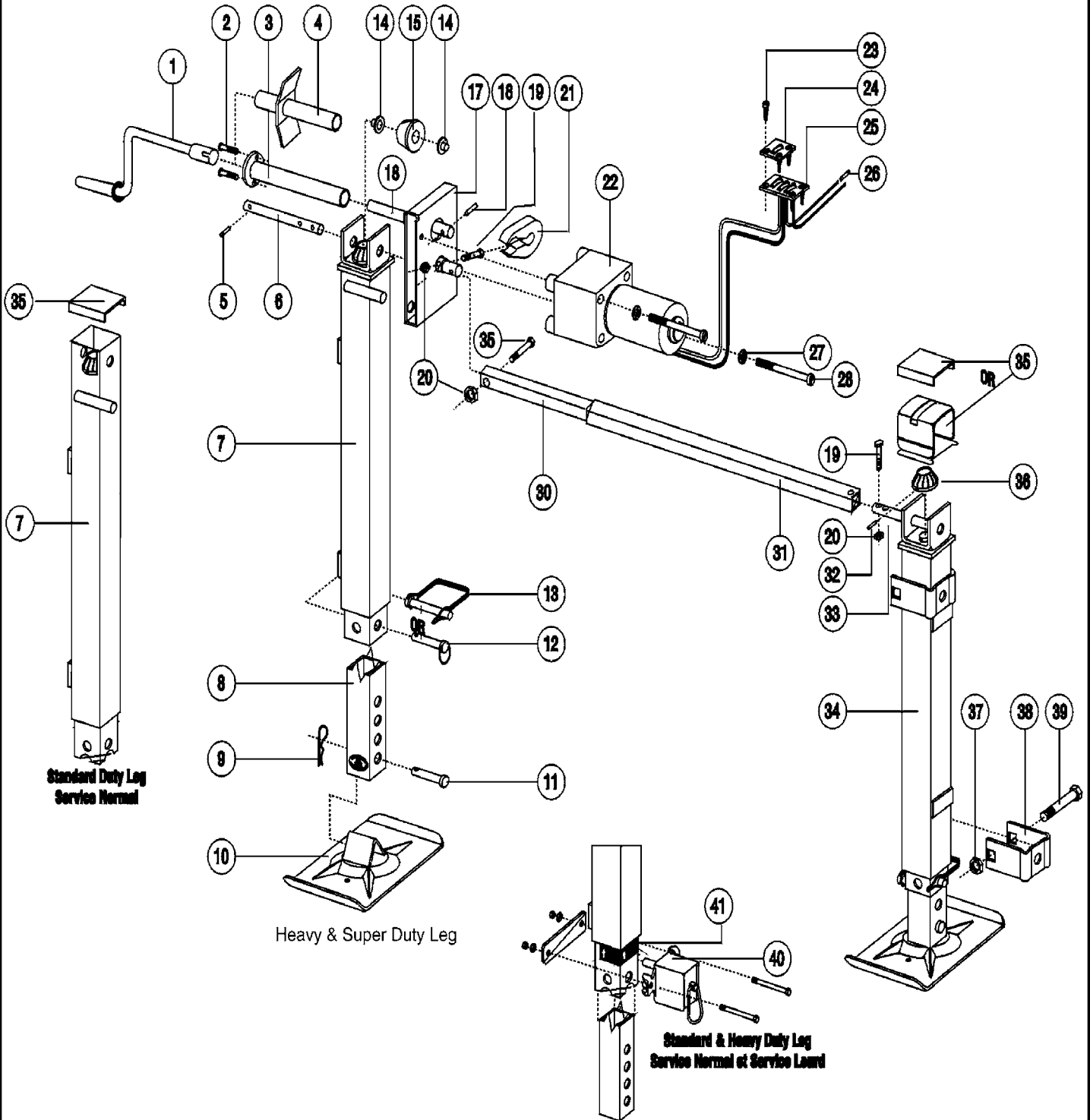
## ATWOOD 4,000 LB FIFTH WHEEL JACK SET-NLA



NO	VEND	DESCRIPTION	NO	VEND	DESCRIPTION
1	71131	DRIVEN JACK, 15-1/2" BETWEEN MTG. STOPS	27	70298	GROOVE PIN
2	71139	DRIVEN SHAFT	28	70905	CRANK HANDLE ASSEMBLY
3	70667	MACHINE PIN	29	70328	SHEET METAL SCREW
4	71143	WASHER	30	75520	ALIGNMENT TUBE, 21-3/4"
5	85706	BEVEL GEAR		75530	ALIGNMENT TUBE, 17-1/2"
6	71145	GEAR CASE COVER		75755	ALIGNMENT TUBE, 15"
7	70279	HAIR PIN CLIP	31	71292	DRIVER SHAFT
8	75720	MOTOR ASSEMBLY	32	71299	DRIVER JACK, 15-1/2" BETWEEN MTG STOPS
9	70246	BOLT, MOTOR MTG. 1/4" X 20	33	70329	MOUNTING BRACKET BOLT
10	86111	LOCK WASHER	34	70284	MOUNTING BRACKET
11	70029	RED WIRE W/FUSE HOLDER	35	24527	LOCK NUT
12		FUSE, 30 AMP	36	70841	CROSS SHAFT TUBE, 1" SQUARE
13	70243	SHEET METAL SCREW	37	70840	CROSS SHAFT END TUBE, 3/4" SQUARE
14	70242	SWITCH COVER	38	70816	LOCK NUT, 1/4"
15	70244	TOGGLE SWITCH	39	70814	SCREW, 1/4" X 1-1/8"
16	70258	BLACK WIRE (84")	40	87186	LOCK PIN
17	70257	RED WIRE (84")	41	70282	PAD TUBE
NS	70253	SWITCH ASSEMBLY (INCLUDES 11, 14, 15, 16, 17 & 18)	42	70269	BRIDGE PIN
18	70256	BLACK WIRE (48")	43	70325	CLEVIS PIN-NLA
19	70358	MOTOR DRIVE PIN		87186	CLEVIS PIN NEW STYLE
20	21693	BUSHING	44	70275	ROUND PAD-NLA
21	71132	GEAR DRIVE PIN		70008	SQUARE PAD
22	71138	BEVEL GEAR	45	71320	3:1 GEAR BOX
23	71140	WASHER	46	70298	DRIVE PIN
24	71141	SHIM(S)	47	70815	SCREW, 1/4" X 2"
25	75590	ALIGNMENT TUBE, 17"	NS	75571	GEAR KIT (INCLUDES #5 & #22)
	70542	ALIGNMENT TUBE, 9-1/2"	NS		GEAR DRIVE PIN (HELSTAR)
26	70906	HAND CRANK EXTENSION			

# JACKS & ACCESSORIES

## ATWOOD 6,000 LB FIFTH WHEEL JACK SET DUAL MOTOR SYSTEM



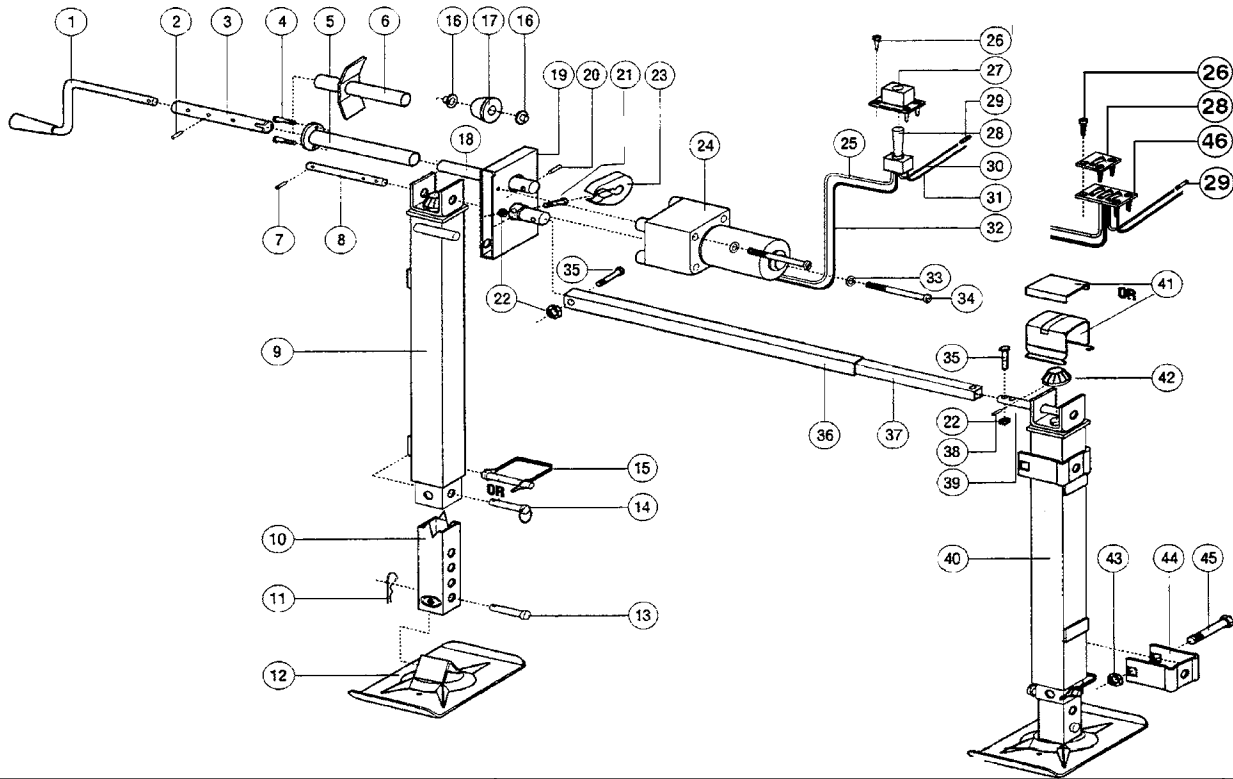
# JACKS & ACCESSORIES

## ATWOOD 6,000 LB FIFTH WHEEL JACK SET DUAL MOTOR SYSTEM (CRV #474709)

<u>NO</u>	<u>VEND</u>	<u>DESCRIPTION</u>	<u>CRV #</u>	<u>NO</u>	<u>VEND</u>	<u>DESCRIPTION</u>	<u>CRV #</u>	
1	70920	CRANK HANDLE ASSY 16"		23	70243	SCREW		
	70986	CRANK HANDLE ASSY 23"		24	70254	ROCKER SWITCH	<b>656168</b>	
2	70328	SCREW		25	87701	ROCKER SWITCH PANEL FUSE		
3	75521	ALIGNMENT TUBE, 21-3/4"		26		30 AMP		
	75529	ALIGNMENT TUBE, 17-1/2"		27	86111	LOCK WASHER		
4	75590	ALIGNMENT TUBE, 17"		28	70246	MOTOR MTG BOLT		
5	70542	ALIGNMENT TUBE, 9-1/2"		29	70814	SHEET METAL SCREW		
6	70757	DRIVER SHAFT (STD)		30	70840	CROSS END SHAFT END TUBE		
	71417	DRIVER SHAFT (HEAVY)				3/4"		
7	71424	DRIVER JACK, 15-1/2"		31	70841	CROSS SHAFT TUBE 1"		
8	70004	DROP TUBE		32	70667	MACHINE PIN (STD)		
9	70269	BRIDGE PIN			70666	MACHINE PIN (HEAVY)		
10	70008	FOOT PAD	<b>460928</b>	33	71139	DRIVEN SHAFT (STD)		
11	70325	CLEVIS PIN	<b>171864</b>		70817	DRIVEN SHAFT (HEAVY)		
	87186	CLEVIS PIN NEW STYLE	<b>744607</b>	34	71425	DRIVEN JACK (STD)		
12	NS	BALL DETENT PIN			71415	DRIVEN JACK (HEAVY)		
13	NS	LOCK PIN		35	71145	GEAR CASE COVER (STD)		
14	21693	BUSHING			71416	GEAR CASE COVER (HEAVY)		
15	75571	BEVEL GEAR (STD)		36	75571	BEVEL GEAR (STD)		
	71259	BEVEL GEAR (HEAVY)	<b>374037</b>		71259	BEVEL GEAR (HEAVY)	<b>374037</b>	
16	70298	DRIVE PIN		37	24527	LOCK NUT		
17	71320	3:1 GEAR BOX	<b>745905</b>	38	70284	MOUNTING BRACKET		
18	70358	MOTOR DRIVE PIN		39	70329	MOUNTING BRACKET BOLT		
19	70815	SCREW, 1/4" X 1/28"		40	NS	PULL PIN		
20	70816	LOCK NUT, 1/4"		41	70220	STOP LABEL		
21	71436	GEAR BOX HUB COVER		NS	70254	ROCKER SWITCH		
22	75721	MOTOR ASSY	<b>171858</b>	NS	70352	GEAR DRIVE PIN (HELSTAR)		<b>656168</b>
	75195	MOTOR KIT (MOTOR & ROCKER SWITCH)	<b>676914</b>					<b>171865</b>
	75196	MOTOR KIT (2-MOTORS & 3-WAY SWITCH)						

# JACKS & ACCESSORIES

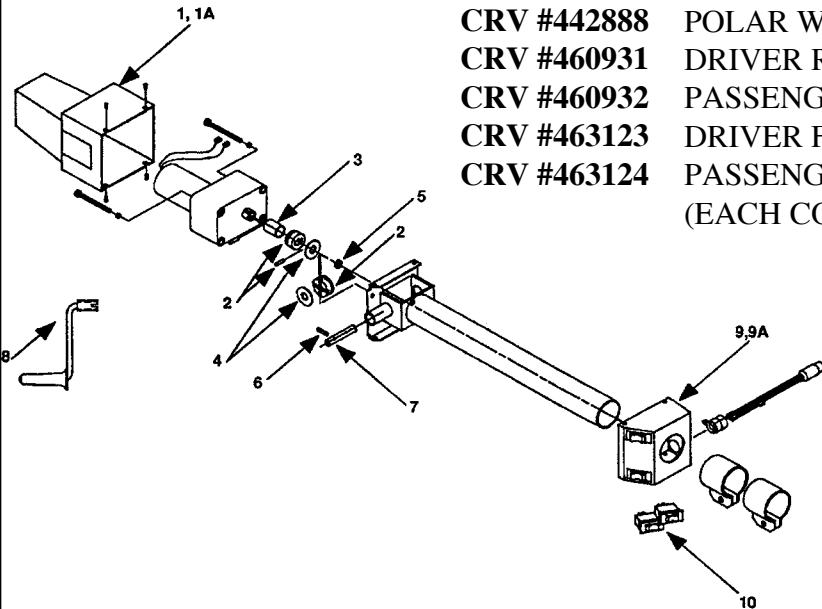
## ATWOOD 6,000 LB FIFTH WHEEL JACK SET SINGLE MOTOR SYSTEM (CRV #474708)



NO	VEND	DESCRIPTION	CRV #	NO	VEND	DESCRIPTION	CRV #
1	70920	CRANK HANDLE COMPLETE W/ PIN	<b>707588</b>	24	75721	MOTOR KIT (TOGGLE SWITCH)	<b>171858</b>
1	70983	CRANK HANDLE ASSEMBLY	<b>496408</b>		75195	MOTOR KIT (ROCKER SWITCH)	<b>676914</b>
2	70298	GROOVE PIN	<b>475901</b>	25	70029	RED WIRE, 48"	
3	70906	HAND CRANK EXTENSION	<b>475900</b>	26	70243	SHEET METAL SCREW	
4	70328	SHEET METAL SCREW		27	70242	SWITCH COVER	
5	75520	ALIGNMENT TUBE, 21-3/4"		28	70244	TOGGLE SWITCH	<b>494245</b>
	75530	ALIGNMENT TUBE, 17-1/2"			70254	ROCKER SWITCH	<b>656168</b>
6	75590	ALIGNMENT TUBE, 17"		29	NA	FUSE, 30 AMP	
	70542	ALIGNMENT TUBE, 9-1/2"	<b>428319</b>	30	70257	RED WIRE, 84"	
7	70229	GEAR DRIVE PIN (HEAVY)	<b>813627</b>	31	70258	BLACK WIRE, 84"	
	71132	GEAR DRIVE PIN (STD)	<b>410161</b>	32	70256	BLACK WIRE, 48"	
8	70757	DRIVER SHAFT (HEAVY)	<b>813631</b>	33	68111	LOCK WASHER	<b>463122</b>
	70105	DRIVER SHAFT (STD)	<b>422259</b>	34	70246	BOLT, MOTOR MOUNTING	
9	71417	DRIVEN JACK, 15-1/2" (HEAVY)	<b>475902</b>	35	70814	SCREW, 1/4" X 1-1/8"	
	71424	DRIVEN JACK, 15-1/2" (STD)		36	70841	CROSS SHAFT TUBE, 1" SQUARE	
10	70004	DROP TUBE	<b>689601</b>	37	70840	CROSS SHAFT END TUBE, 3/4"	
11	70269	BRIDGE PIN	<b>689602</b>	38	70666	MACHINE PIN (HEAVY)	
12	70008	FOOT PAD	<b>460928</b>		70667	MACHINE PIN (STD)	
13	70325	CLEVIS PIN	<b>171864</b>	39	70817	DRIVEN SHAFT (HEAVY)	<b>703030</b>
	87186	CLEVIS PIN NEW STYLE	<b>744607</b>		71139	DRIVEN SHAFT (STD)	<b>422258</b>
14	NA	BALL DETENT PIN		40	71415	DRIVEN JACK, 15-1/2" (HEAVY)	<b>689605</b>
15	87196	LOCK PIN	<b>428357</b>		71425	DRIVEN JACK, 15-1/2" (STD)	<b>418553</b>
16	21693	BUSHING	<b>767680</b>	41	71416	GEAR CASE COVER (HEAVY)	<b>689610</b>
17	71259	BEVEL GEAR (HEAVY)	<b>374037</b>		71145	GEAR CASE COVER (STD)	
	75571	BEVEL GEAR (STD)	<b>418556</b>	42	71259	BEVEL GEAR (HEAVY)	<b>374037</b>
18	70298	DRIVE PIN	<b>171839</b>		75771	BEVEL GEAR (STD)	
19	71320	3:1 GEAR BOX	<b>418555</b>	43	24527	LOCK NUT	<b>689606</b>
20	70358	MOTOR DRIVE PIN	<b>734575</b>	44	70284	MOUNTING BRACKET	<b>689607</b>
21	70815	SCREW, 1/4" X 1.28"	<b>736199</b>	45	70329	MOUNTING BRACKET BOLT	<b>689608</b>
22	70816	LOCK NUT, 1/4"	<b>788426</b>	46	87701	ROCKER SWITCH PANEL (3)	
23	71436	GEAR BOX HUB COVER	<b>691561</b>				

# JACKS & ACCESSORIES

## ATWOOD ELECTRIC BALL SCREW CAMPER JACK-POLAR WHITE



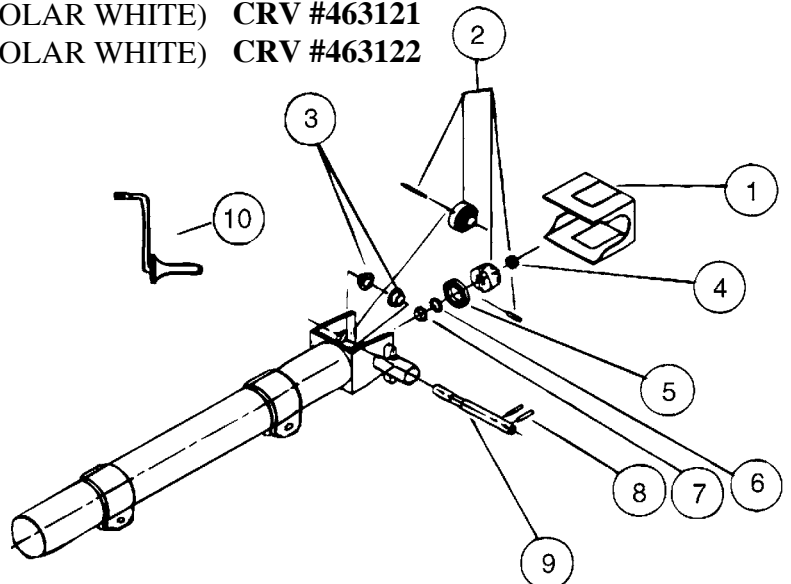
- CRV #442888** POLAR WHITE (SET OF FOUR)
  - CRV #460931** DRIVER REAR WITH SWITCH
  - CRV #460932** PASSENGER REAR WITHOUT SWITCH
  - CRV #463123** DRIVER FRONT WITH SWITCH
  - CRV #463124** PASSENGER FRONT WITHOUT SWITCH
- (EACH CORNER PART # INCLUDES BRACKETS)

NO	VEND	DESCRIPTION
1	87925	COVER (COLONIAL WHITE)
1A	85158	COVER (POLAR WHITE)
2	87108	BEVEL GEAR KIT
3	87916	COVER TUBE
4	87847	WASHER
5	87912	NYLON BUSHINGS
6	70298	DRIVER PIN
7	87941	DRIVER SHAFT
8	87891	HANDLE
9	87032	LOWER COVER (COLONIAL WHITE)
9A	85163	LOWER COVER (POLAR WHITE)
10	87914	SWITCH

## ATWOOD BALL SCREW CAMPER JACK-MANUAL

- JACK, BALL SCREW POLAR WHITE (SET) **CRV #452639**
- BRACKET, SWING OUT POLAR WHITE (SET) **CRV #459392**
- COLONIAL WHITE (1-CORNER) **CRV #428818**
- ZINC (1-CORNER) **CRV #452787**
- DRIVER FRONT WITH BRACKET (POLAR WHITE) **CRV #460929**
- PASSENGER FRONT WITH BRACKET (POLAR WHITE) **CRV #469030**
- DRIVER REAR WITH BRACKET (POLAR WHITE) **CRV #463121**
- PASSENGER REAR WITH BRACKET (POLAR WHITE) **CRV #463122**

NO	VEND	DESCRIPTION
1	87892	COVER (COLONIAL WHITE)
1A	85171	COVER (POLAR WHITE)
1B	85172	COVER (GRAY)
2	85387	BEVEL GEAR KIT
3	21692	BUSHINGS
4	87852	KNURLED NUT
5	25504	THRUSH BEARING
6	87846	SPACER
7	70224	BUSHING
8	70298	DRIVER PIN
9	87858	DRIVER SHAFT
10	87030	HANDLE



# JACKS & ACCESSORIES

## ATWOOD FIFTH WHEEL ELECTRIC JACK COMPONENTS

CLEVIS PIN-NEW STYLE  
CRV #744607



ELECTRIC MOTOR  
CRV #171858

ROCKER SWITCH  
CRV #656168

